



Savy
GOISEAU



MELTER TANKS HSG 250 / 500



With programming of rotation of the mixer

Option :

Pump and stainless steel pipe line for an automatic alimentation of temperer or and an enrober.



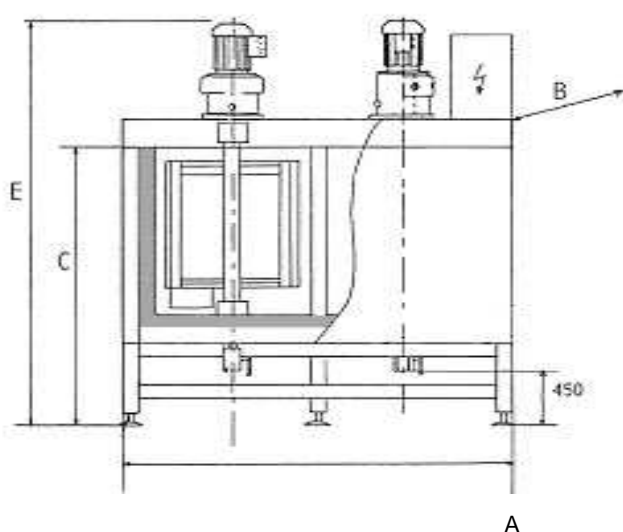
MELTER TANKS HSG 250 / 500

FUNCTION : Storage desired temperature of the product

DESCRIPTION :

- Construction stainless steel. Ferment insulated with brushed stainless coating
- Assembled together on carrying frame and equipped with adjustable feet
- Single Tank wraps with reinforced flat bottom.
- Above: Support motor cover for the filing the tank
- Outlet: a hand any outlet valve with locking system height of outlet valve: 400 mm
- Independent electric Heating by tank.
- Mixer with pre-scraping of the walls.
- The panel control (and the command box) have been placed above the tank and exist out a main switch, circuit breakers for the agitator and a temperature regulator per tank. For the agitator there is a programming system and when the cover will be opened than stops the agitator by a safety contact

MODEL	Long A	Width B	Height C	Total heigh. E	Int diam D	Int height H
250/1	890	890	1300	1850	725	600
250/2	1750	890	1300	1850	725	600
350/1	890	890	1500	2050	725	800
350/2	1750	890	1500	2050	725	800
500/1	970	970	1500	2050	800	900
500/2	1900	970	1500	2050	800	900



The characteristics given in the text and the illustrations in this document are not binding and can be modified